

CIB – flush mounted analog outputs

Type	DI	DO	AI	AO	Comm
DAC2-04B			1x	4x	CIB

Basic features

- Module with 4 independent voltage outputs 0–10 V or 1–10 V.
- Each analog output is independently addressable and controlled.
- Input for external NTC temperature sensor.
- Status of Run/Error is indicated by the LED on the front panel.

Connecting

- The module is connected by two wires of CIB, which provide both the power supply and communication channel.
- The module is designed for mounting into the flush box.

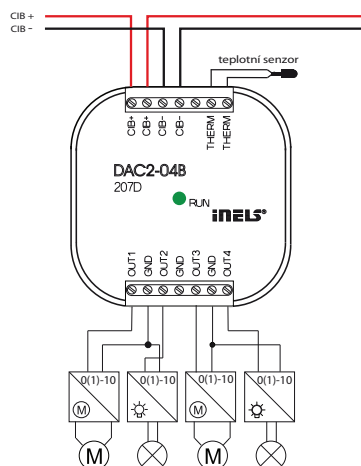
Use

- For control the device, where analog input is main control signal like:
 - Electronic ballast and dimmers for luminescent lamps
 - Thermo drives
 - Continuously controlled valves
 - Drives



DAC2-04B

Connection example



Analog outputs

Output range	1÷10 V or 0÷10 V
Output current	10 mA

Analog inputs 1x (THERM)

Input type	1x External temperature sensor NTC 12 k
Measurement range	–20 ÷ 100 °C
Accuracy	0.8 °C

Dimensions and weight

Dimensions	49 × 49 × 13 mm
Weight	33 g

Power supply/ Communication

Power supply communication	24 V (27 V) from the bus CIB
Current consumption	50 mA

Operating conditions

Operating temperature	–20 ÷ +55 °C
Storage temperature	–30 ÷ +70 °C
IP Degree of protection IEC EN 60529	IP 20, IP40 covered in switchboard
Overvoltage category	III
Degree of pollution IEC EN 61131-2	2
Working position	any
Installation	flush mounting boxes
Connections	screw terminals
Conductors cross-section	max. 1 mm ²

Teco a.s. supplies units under the name INELS

Order number

DAC2-04B DAC2-04B, CIB, 4x AO, converter digital-analog 0(1) – 10V